

Архангельск (8182)63-90-72  
Астана (7172)727-132  
Астрахань (8512)99-46-04  
Барнаул (3852)73-04-60  
Белгород (4722)40-23-64  
Брянск (4832)59-03-52  
Владивосток (423)249-28-31  
Волгоград (844)278-03-48  
Вологда (8172)26-41-59  
Воронеж (473)204-51-73  
Екатеринбург (343)384-55-89  
Иваново (4932)77-34-06

Ижевск (3412)26-03-58  
Иркутск (395)279-98-46  
Казань (843)206-01-48  
Калининград (4012)72-03-81  
Калуга (4842)92-23-67  
Кемерово (3842)65-04-62  
Киров (8332)68-02-04  
Краснодар (861)203-40-90  
Красноярск (391)204-63-61  
Курск (4712)77-13-04  
Липецк (4742)52-20-81  
Киргизия (996)312-96-26-47

Магнитогорск (3519)55-03-13  
Москва (495)268-04-70  
Мурманск (8152)59-64-93  
Набережные Челны (8552)20-53-41  
Нижний Новгород (831)429-08-12  
Новокузнецк (3843)20-46-81  
Новосибирск (383)227-86-73  
Омск (3812)21-46-40  
Орел (4862)44-53-42  
Оренбург (3532)37-68-04  
Пенза (8412)22-31-16  
Казахстан (772)734-952-31

Пермь (342)205-81-47  
Ростов-на-Дону (863)308-18-15  
Рязань (4912)46-61-64  
Самара (846)206-03-16  
Санкт-Петербург (812)309-46-40  
Саратов (845)249-38-78  
Севастополь (8692)22-31-93  
Симферополь (3652)67-13-56  
Смоленск (4812)29-41-54  
Сочи (862)225-72-31  
Ставрополь (8652)20-65-13  
Таджикистан (992)427-82-92-69

Сургут (3462)77-98-35  
Тверь (4822)63-31-35  
Томск (3822)98-41-53  
Тула (4872)74-02-29  
Тюмень (3452)66-21-18  
Ульяновск (8422)24-23-59  
Уфа (347)229-48-12  
Хабаровск (4212)92-98-04  
Челябинск (351)202-03-61  
Череповец (8202)49-02-64  
Ярославль (4852)69-52-93

<https://alaval.nt-rt.ru> || [avb@nt-rt.ru](mailto:avb@nt-rt.ru)

## Alfa Laval SCANDI BREW® Centralised sampling system

### Sampling

#### Introduction

A centralised sampling system facilitates in many ways sample taking from beer tanks (in- or out-doors).

#### Application

Because of the position of the sampling valve on vertical fermenters or bright beer tanks, access to sampling point often needs catwalks or platforms. To take a sample outdoor from such platforms is often done under less favourable climatic conditions thus giving the possibility of unacceptable samples as well as increasing the risk of work related accidents. A centralised sampling system allows for placing the sample valve at the optimal point for sampling: on the middle of the cylindrical part of the vessel, independent of whether there is easy access to this point or not.

#### Benefits

- Fully automatic and safe sampling from selected tanks
- "Fool proof" operation
- Highly sanitary sampling
- Economic solution compared to "cat-walk" installations
- Optimal sampling point position on tank regardless of tank construction and access
- Simultaneous sampling and or CIP

#### Design

The SCANDI BREW® Centralised sampling system is a modular system and each section is equipped for taking out samples from up to 12 tanks. See flow sketch on reverse. On tank no. 1 to 12 on the flow sketch, you will find the SCANDI BREW® pneumatic sample valves that are mounted on the tanks.

For mounting the pneumatic sample valve different methods are foreseen. For new stainless steel tanks the valve is welded into the tank wall and for existing tanks, the valve can be supplied with special thread to fit a socket.

The sampling panel is placed for easy access and handy operation. However, as straight and simple pipe mains as possible is recommended. Due to pressure loss the distance from the panel to the sample valves should be maximum 100 –120 pipe metre.

Service utilities are connected to the bottom side of the sampling panel and the tank sample valves to the top of the sampling panel.



The sampling panel is connected via pipes of Ø10 mm to the pneumatic sample valves on the tanks. The connections can either be stainless steel pipes or Teflon hoses, with or without insulation, depending on local conditions.

#### Working principle

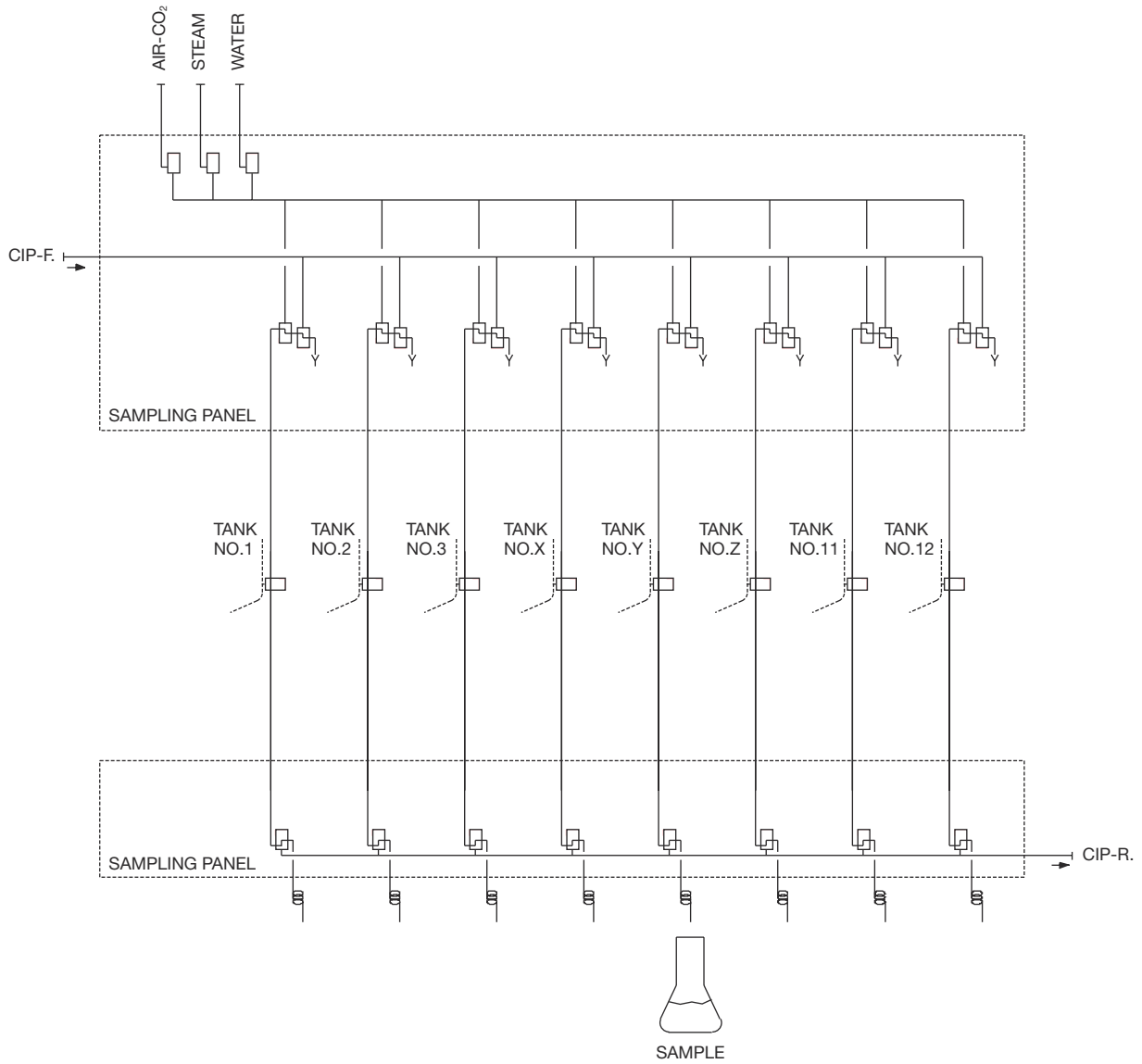
When taking a sample there are two possibilities; either sterile or non-sterile sampling. For sterile sampling of the chosen tank, the "sterile" button is pressed and the pipeline to the sampling panel will be steam sterilised. After sterilising, the pipeline is blown dry with sterile air or CO<sub>2</sub>. Now the "sampling" button can be pressed and the sample media will flow from the chosen tank to the sample coil at the sample panel. By pressing the "flush" button, the pipeline is hereafter flushed with water, steamed and blown dry.

When choosing non-sterile sampling for non-microbiological samples the first step after choosing the tank, is to press the “sampling” button. The sampling process will then be the same as above but without the sterilisation before the sample is taken.

The sample valves and pipelines with other valves are CIP'ed together with the tank. The cleaning process is started by pressing the “CIP” button or by external signal from a PLC and runs automatically according to the pre-selected time.

**Options**

- Extra sample module for sampling from up to 24 tanks
- Hot water heater (up to 90°C) for hot water sterilisation instead of using steam
- Feedback signal from sample valve on tank
- More valves on the same tank





## Alfa Laval Swing bend centralised sampling system

### Sample taking from beer tanks

#### Introduction

Because of the position of the sampling valve on vertical fermenters or bright beer tanks, access to sampling point often needs catwalks or platforms. To take a sample outdoor from such platforms is often done under less favourable climatic conditions thus giving the possibility of unacceptable samples as well as increasing the risk of work related accidents. A centralised sampling system allows for placing the sample valve at the optimal point for sampling: on the middle of the cylindrical part of the vessel, independent of whether there is easy access to this point or not.

#### Application

Swing bend centralised sampling system facilitates sample taking from beer tanks in- or out-doors.

#### Benefits

- Easy and safe sampling from selected tanks
- "Fool proof" operation
- Highly sanitary sampling
- Economic solution compared to "cat-walk" installations
- Optimal sampling point position on tank regardless of tank construction and access.

#### Design

The Swing bend centralised sampling system is a modular system and each section is equipped for taking out samples from up to 12 tanks. See flow sketch on reverse. In the left side of the flow sketch, you will find the SCANDI BREW® pneumatic sample valves that are mounted on the tanks.

For mounting the pneumatic sample valve different methods are foreseen. For new stainless steel tanks the valve is welded into the tank wall and for existing tanks, the valve can be supplied with special thread to fit a socket.

The sampling panel is placed for easy access and handy operation. However, as straight and simple pipe mains as possible is recommended. Due to pressure loss the distance from the panel to the sample valves should be maximum 100 –120 pipe metre.

Service utilities are connected to the bottom side of the sampling panel and the tank sample valves to the top of the sampling panel.



The sampling panel, which is mounted on adjustable legs, is connected via pipes of  $\varnothing 10$  mm to the pneumatic sample valves on the tanks. The connections can either be stainless steel pipes or Teflon hoses, with or without insulation, depending on local conditions. As can be seen from flow sketch, the pipe work creates a ring main between the sampling panel and the sample valve.

#### Options

- Extra sample module for sampling from up to 24 tanks
- Hot water heater (up to 90°C) for hot water sterilisation instead of using steam
- Feedback signal from sample valve on tank
- More valves on the same tank.

#### Working principle

When taking a sample there are two possibilities; either sterile or non-sterile sampling. A sample is taken in the following way: The swing bend on the sample panel is connected to the tank from which sampling shall take place.

**Sterile sampling:** Thereafter the "start sampling" button is activated and steam will then run through the ring pipe. The steam sterilises the pipe and line, the pneumatic sample valve on the tank and the central sample valve as well.

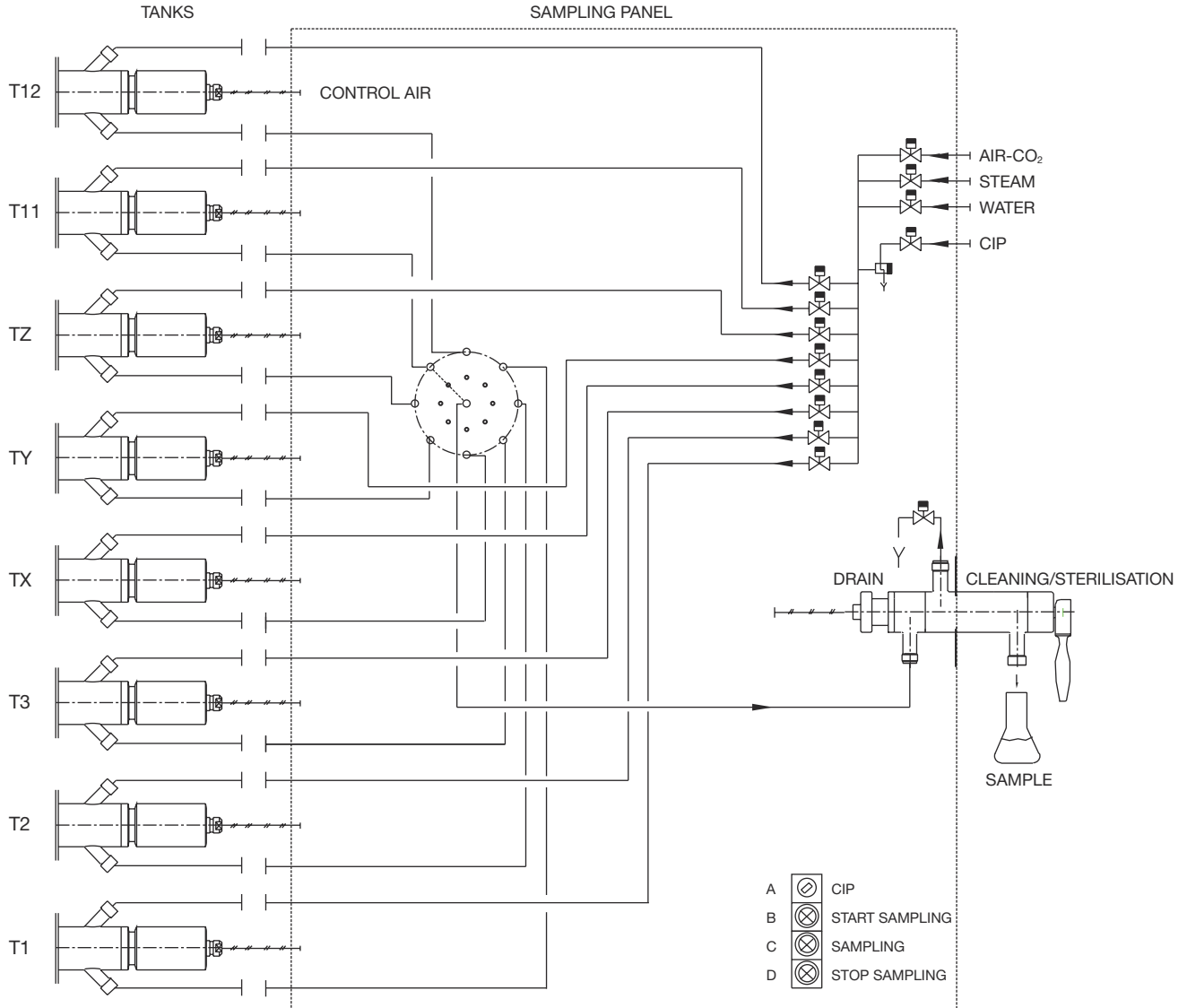
By activating the "sampling" button the sample valve on the tank opens.

**Non-sterile sampling :** The "sampling" button is activated immediately skipping the sterilisation step. It is now possible, manually to open the central sample valve and take out the sample.

When sampling has finished the "stop sampling" button is activated and the operator can now leave the panel. The

system will automatically be flushed with water, sterilised with steam and blown through with sterile air or CO2.

The sampling valve and ring main for each tank is CIP'ed together with the tank.



Архангельск (8182)63-90-72  
 Астана (7172)727-132  
 Астрахань (8512)99-46-04  
 Барнаул (3852)73-04-60  
 Белгород (4722)40-23-64  
 Брянск (4832)59-03-52  
 Владивосток (423)249-28-31  
 Волгоград (844)278-03-48  
 Вологда (8172)26-41-59  
 Воронеж (473)204-51-73  
 Екатеринбург (343)384-55-89  
 Иваново (4932)77-34-06

Ижевск (3412)26-03-58  
 Иркутск (395)279-98-46  
 Казань (843)206-01-48  
 Калининград (4012)72-03-81  
 Калуга (4842)92-23-67  
 Кемерово (3842)65-04-62  
 Киров (8332)68-02-04  
 Краснодар (861)203-40-90  
 Красноярск (391)204-63-61  
 Курск (4712)77-13-04  
 Липецк (4742)52-20-81  
 Киргизия (996)312-96-47

Магнитогорск (3519)55-03-13  
 Москва (495)268-04-70  
 Мурманск (8152)59-64-93  
 Набережные Челны (8552)20-53-41  
 Нижний Новгород (831)429-08-12  
 Новокузнецк (3843)20-46-81  
 Новосибирск (383)227-86-73  
 Омск (3812)21-46-40  
 Орел (4862)44-53-42  
 Оренбург (3532)37-68-04  
 Пенза (8412)22-31-16  
 Казахстан (772)734-952-31

Пермь (342)205-81-47  
 Ростов-на-Дону (863)308-18-15  
 Рязань (4912)46-61-64  
 Самара (846)206-03-16  
 Санкт-Петербург (812)309-46-40  
 Саратов (845)249-38-78  
 Севастополь (8692)22-31-93  
 Симферополь (3652)67-13-56  
 Смоленск (4812)29-41-54  
 Сочи (862)225-72-31  
 Ставрополь (8652)20-65-13  
 Таджикистан (992)427-82-92-69

Сургут (3462)77-98-35  
 Тверь (4822)63-31-35  
 Томск (3822)98-41-53  
 Тула (4872)74-02-29  
 Тюмень (3452)66-21-18  
 Ульяновск (8422)24-23-59  
 Уфа (347)229-48-12  
 Хабаровск (4212)92-98-04  
 Челябинск (351)202-03-61  
 Череповец (8202)49-02-64  
 Ярославль (4852)69-52-93