

Архангельск (8182)63-90-72  
Астана (7172)727-132  
Астрахань (8512)99-46-04  
Барнаул (3852)73-04-60  
Белгород (4722)40-23-64  
Брянск (4832)59-03-52  
Владивосток (423)249-28-31  
Волгоград (844)278-03-48  
Вологда (8172)26-41-59  
Воронеж (473)204-51-73  
Екатеринбург (343)384-55-89  
Иваново (4932)77-34-06

Ижевск (3412)26-03-58  
Иркутск (395)279-98-46  
Казань (843)206-01-48  
Калининград (4012)72-03-81  
Калуга (4842)92-23-67  
Кемерово (3842)65-04-62  
Киров (8332)68-02-04  
Краснодар (861)203-40-90  
Красноярск (391)204-63-61  
Курск (4712)77-13-04  
Липецк (4742)52-20-81  
Киргизия (996)312-96-26-47

Магнитогорск (3519)55-03-13  
Москва (495)268-04-70  
Мурманск (8152)59-64-93  
Набережные Челны (8552)20-53-41  
Нижний Новгород (831)429-08-12  
Новокузнецк (3843)20-46-81  
Новосибирск (383)227-86-73  
Омск (3812)21-46-40  
Орел (4862)44-53-42  
Оренбург (3532)37-68-04  
Пенза (8412)22-31-16  
Казахстан (772)734-952-31

Пермь (342)205-81-47  
Ростов-на-Дону (863)308-18-15  
Рязань (4912)46-61-64  
Самара (846)206-03-16  
Санкт-Петербург (812)309-46-40  
Саратов (845)249-38-78  
Севастополь (8692)22-31-93  
Симферополь (3652)67-13-56  
Смоленск (4812)29-41-54  
Сочи (862)225-72-31  
Ставрополь (8652)20-65-13  
Таджикистан (992)427-82-92-69

Сургут (3462)77-98-35  
Тверь (4822)63-31-35  
Томск (3822)98-41-53  
Тула (4872)74-02-29  
Тюмень (3452)66-21-18  
Ульяновск (8422)24-23-59  
Уфа (347)229-48-12  
Хабаровск (4212)92-98-04  
Челябинск (351)202-03-61  
Череповец (8202)49-02-64  
Ярославль (4852)69-52-93

<https://alaval.nt-rt.ru> || [avb@nt-rt.ru](mailto:avb@nt-rt.ru)

# СГУСТИТЕЛИ, ФИЛЬТР-ПРЕССЫ И ФИЛЬТРЫ

## AS-H Ленточный пресс G3

Чрезвычайно высокие объемные объемы подачи с низким содержанием сухого остатка подают в твердые вещества с ВЫСОКИМ СУХИМ ОСТАТКОМ

### Alfa Laval AS-H Belt Press G3

#### Sludge dewatering machine

#### Introduction

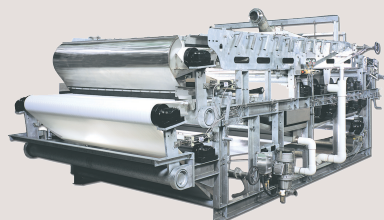
The Alfa Laval AS-H Belt Press G3 is considered the industry standard for superior value, performance and durability for sludge dewatering. The G3 belt press is designed for low polymer consumption, high throughput rates, and high solids content and is available in a wide size range and extensive modular options to meet individual process requirements.

#### Application

The Alfa Laval AS-H Belt Press G3 is a sludge dewatering machine suitable for all municipal wastewater sludge types and a wide variety of industrial solid / liquid separation applications, such as paper, petrochemical, mineral, food processing, pharmaceutical and chemical. The G3 belt press incorporates variable energy mixing, flocculation, gravity drainage and pressure filtration within a single mechanical framework. The G3 belt press offers the versatility of a wide size range and extensive modular options to meet individual process requirements.

#### Benefits

- Thorough uniform mixing of polymer into sludge
- Higher volumetric throughput and solids loading
- Higher cake dry solids
- Low power consumption
- Low polymer usage
- Better filtrate quality
- Low maintenance requirements
- Long life design
- Modular design allows upgrades to add more rollers in the pressure zone or an extended gravity zone



#### Features description

##### Sludge/polymer mixer valve

- Variable orifice, in-line polymer mixer that combines polymer and sludge instantly
- Optimizes polymer effectiveness and minimized polymer consumption

##### Gravity drainage zone

- Even sludge distribution prior to a two stage high efficiency gravity drainage areas fitted with easy to operate and maintain sludge ploughs and precisely arranged support grid to optimize filtrate removal

##### Adjustable wedge dewatering zone

- Initiates application of pressure to the dewatering process
- Adjustable during operation

##### Radial pressure dewatering zone

## Features

- Available in 8 roller and 12 roller designs in the pressure section
- Extended gravity deck model for thinner sludges
- Open frame design allows for maximum access for normal maintenance
- Enclosed design available ensures any odours, aerosols and spillages are contained
- Adjustable wedge dewatering zone for process optimization
- Pre-installed hydraulic system for automatic belt tensioning and steering
- Lifetime rated bearings
- Radial grid and perforated roller to accelerate dewatering

## Belt alignment and tensioning

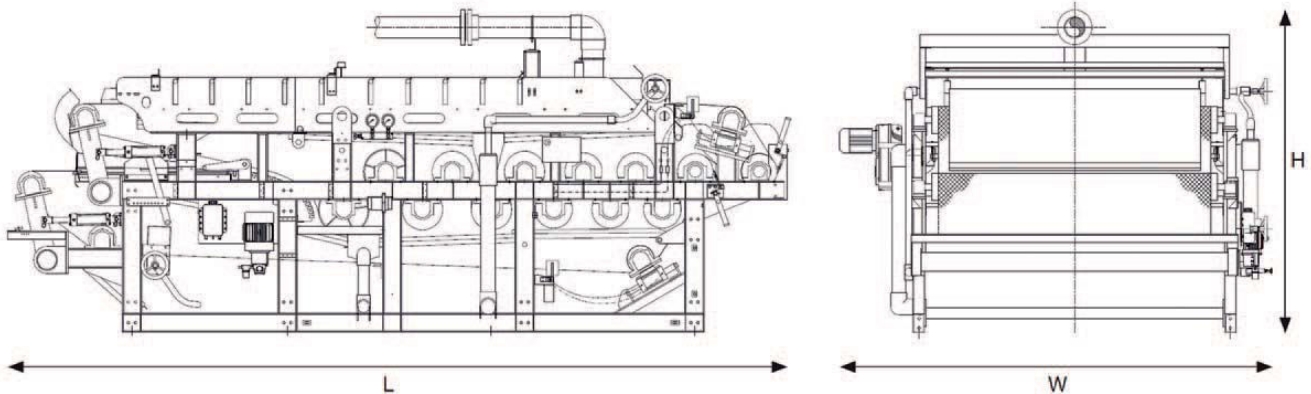
- Pre-installed and press-mounted to minimize on site installation requirements
- Hydraulically controlled and adjustable for continuous operation, reduced belt wear and optimum performance for a prolonged belt life

## Bearings

- Lifetime rated bearings with triple labyrinth seal and specially designed shaft mounted splash guards
- Extended lubrication cycle (6 monthly)

## Roller design

## Dimensions



### 12 roller version

Model	Length		Width		Height	
	mm	inches	mm	inches	mm	inches
Belt Press 100	6,242	246	2,407	95	2,546	100
Belt Press 150	6,242	246	2,964	117	2,546	100
Belt Press 200	6,242	246	3,516	139	2,597	102
Belt Press 250	6,242	246	4,030	159	2,600	102
Belt Press 300	6,242	246	4,572	180	2,680	106

- Radial grid and perforated roller to prevent pressure-shock of sludge in the pressure zone

## Full pressure dewatering zone

- Optional number of pressure rollers depending on dewatering requirements
- Belt wrap of 180 degrees or greater maximizing cake dry solids

- Specialized forged end construction
- Rubber coated drive roller and thermoplastic nylon coated pressure rollers for corrosion resistance

## Working principle

Its operating principle is to condition the feed sludge with a polyelectrolyte and drain the flocculated sludge over an endless, horizontal porous filter belt. The thickened sludge is then sandwiched by a second filter belt before further dewatering by a series of decreasing diameter rollers. Final moisture removal is achieved by shear rollers arranged to give minimum 180 degree belt wrap in order to optimize dewatering.

Архангельск (8182)63-90-72  
 Астана (7172)727-132  
 Астрахань (8512)99-46-04  
 Барнаул (3852)73-04-60  
 Белгород (4722)40-23-64  
 Брянск (4832)59-03-52  
 Владивосток (423)249-28-31  
 Волгоград (844)278-03-48  
 Вологда (8172)26-41-59  
 Воронеж (473)204-51-73  
 Екатеринбург (343)384-55-89  
 Иваново (4932)77-34-06

Ижевск (3412)26-03-58  
 Иркутск (395)279-98-46  
 Казань (843)206-01-48  
 Калининград (4012)72-03-81  
 Калуга (4842)92-23-67  
 Кемерово (3842)65-04-62  
 Киров (8332)68-02-04  
 Краснодар (861)203-40-90  
 Красноярск (391)204-63-61  
 Курск (4712)77-13-04  
 Липецк (4742)52-20-81  
 Киргизия (996)312-96-26-47

Магнитогорск (3519)55-03-13  
 Москва (495)268-04-70  
 Мурманск (8152)59-64-93  
 Набережные Челны (8552)20-53-41  
 Нижний Новгород (831)429-08-12  
 Новокузнецк (3843)20-46-81  
 Новосибирск (383)227-86-73  
 Омск (3812)21-46-40  
 Оренбург (3532)37-68-04  
 Орел (4862)44-53-42  
 Оренбург (3532)37-68-04  
 Пенза (8412)22-31-16  
 Казахстан (772)734-952-31

Пермь (342)205-81-47  
 Ростов-на-Дону (863)308-18-15  
 Рязань (4912)46-61-64  
 Самара (846)206-03-16  
 Санкт-Петербург (812)309-46-40  
 Саратов (845)249-38-78  
 Севастополь (8692)22-31-93  
 Симферополь (3652)67-13-56  
 Смоленск (4812)29-41-54  
 Сочи (862)225-72-31  
 Ставрополь (8652)20-65-13  
 Таджикистан (992)427-82-92-69

Сургут (3462)77-98-35  
 Тверь (4822)63-31-35  
 Томск (3822)98-41-53  
 Тула (4872)74-02-29  
 Тюмень (3452)66-21-18  
 Ульяновск (8422)24-23-59  
 Уфа (347)229-48-12  
 Хабаровск (4212)92-98-04  
 Челябинск (351)202-03-61  
 Череповец (8202)49-02-64  
 Ярославль (4852)69-52-93